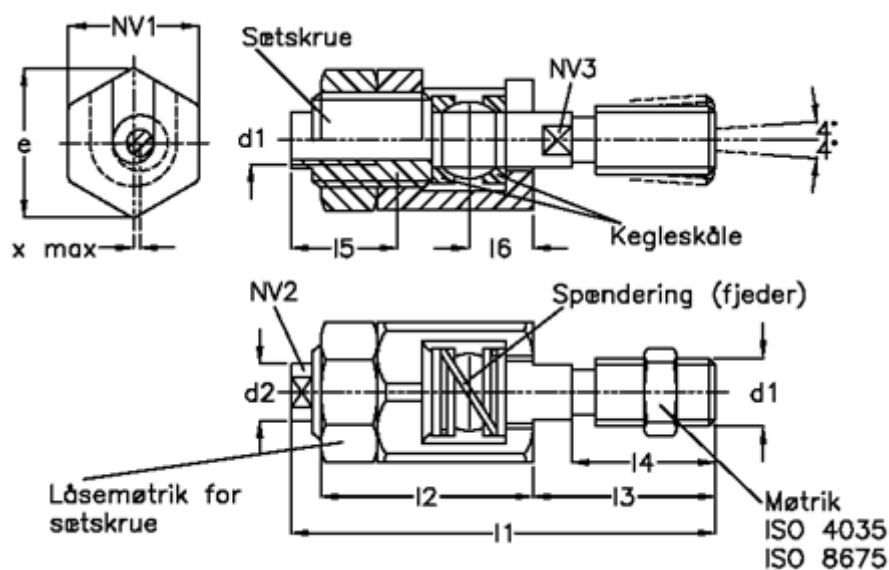


Article number: 20058558

Description: E+G Quick-fit coupling (radial displacement)  
GN 240.2-M20x1,5

## Measures



d1 = M 20x1,5	I6	= 26.0
d2 = 32.0	Max displacement	= 1.0
e = 60.0	Max push-pull strength N	= 30000
I1 = 129	NV 1	= 55
I2 = 62	NV 2	= 27
I3 = 53.0	NV 3	= 18
I4 = 42		
I5 = 34		